



SPECIFICATION SHEET

Model #:	Qty:
Project #:	
Consultant:	

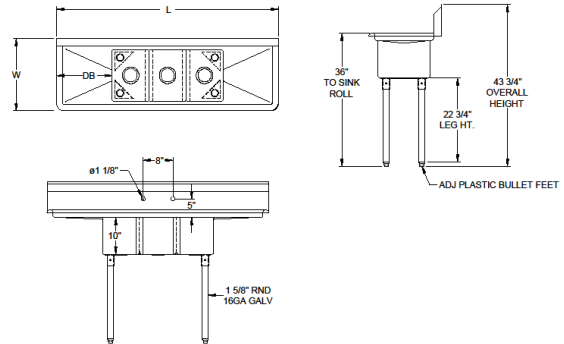
QUALITY FOOD SERVICE EQUIPMENT

ECONOMY SINKS



DIMENSIONS

3 bowls - 2 drainboards



MATERIAL

- ◆ 18GA 300 stainless steel fabricated
- ◆ Galvanized legs & gussets
- ◆ Plastic bullet feet

FEATURES

- ◆ 10"H backsplash with 2" return to wall
- ◆ 8" on center splash mount faucet holes (*has 2 sets)
- ◆ 3-1/2" die-stamped drain opening
- ◆ Adjustable bullet feet
- ◆ 2 drainboards (1 on each side)

Model#	Bowl Size LxWxH	Length	Width	Drainboard Size
3SG-101410LR15	10" X 14" X 10"	60"	19-1/2"	15"
3SG-122012LR12	12" X 20" X 12"	60"	25-1/2"	12"
3SG-141612LR12	14" X 16" X 12"	66"	21-1/2"	12"
3SG-151514LR15	15" X 15" X 14"	75"	20-1/2"	15"
3SG-162012LR18	16" X 20" X 12"	84"	25-1/2"	18"
3SG-162014LR18	16" X 20" X 14"	84"	25-1/2"	18"
3SG-181812LR18	18" X 18" X 12"	90"	23-1/2"	18"
3SG-181814LR18	18" X 18" X 14"	90"	23-1/2"	18"
3SG-181814LR24	18" X 18" X 14"	102"	23-1/2"	24"
3SG-182414LR18	18" X 24" X 14"	90"	29-1/2"	18"
3SG-182414LR24	18" X 24" X 14"	102"	29-1/2"	24"
3SG-202012LR18	20" X 20" X 12"	96"	25-1/2"	18"
3SG-202014LR24	20" X 20" X 14"	108"	25-1/2"	24"
3SG-203012LR20	20" X 30" X 12"	100"	35-1/2"	20"
3SG-203014LR24	20" X 30" X 14"	108"	35-1/2"	24"
3SG-242414LR24*	24" X 24" X 14"	120"	29-1/2"	24"

(609) 642-8389 | sales@nbreqquipment.com | www.nbreqquipment.com